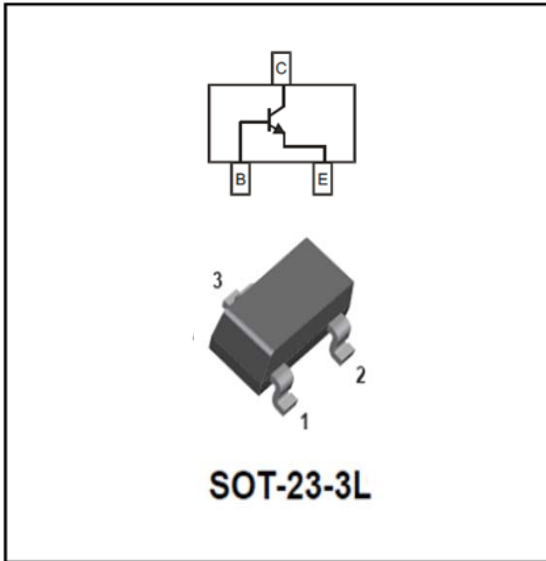


## NPN Transistor



### Features

- Moisture sensitivity level 1
- Halogen free and RoHS compliant
- Surface mount package ideally suited for automatic insertion

### Application

- Signal amplification
- Switching circuit

### Mechanical data

- **Package:** SOT-23-3L
- **Terminals:** Tin plated leads, solderable per J-STD-002 and JESD22-B102

### ■ Maximum Ratings (Ta=25°C unless otherwise noted)

Item	Symbol	Unit	Conditions	Value
Device marking code				619L
Collector-base voltage	$V_{CBO}$	V	$I_C=100\mu A, I_E=0$	50
Collector-emitter voltage	$V_{CEO}$	V	$I_C=10mA, I_B=0$	50
Emitter-base voltage	$V_{EBO}$	V	$I_E=100\mu A, I_C=0$	5
Collector current	$I_C$	A		2
Power dissipation	$P_D$	mW		200
Junction temperature	$T_J$	°C		-55 to +150
Storage temperature	$T_{STG}$	°C		-55 to +150

### ■ Electrical Characteristics (Ta=25°C unless otherwise noted)

Item	Symbol	Unit	Conditions	Min	Type	Max
Collector-base breakdown voltage	$V_{CBO}$	V	$I_C=100\mu A, I_E=0$	50		
Collector-emitter breakdown voltage	$V_{CEO}$	V	$I_C=10mA, I_B=0$	50		
Emitter-base breakdown voltage	$V_{EBO}$	V	$I_E=100\mu A, I_C=0$	5		
Collector-base cut-off current	$I_{CBO}$	uA	$V_{CB}=40V, I_E=0$			0.1
Emitter-base cut-off current	$I_{EBO}$	uA	$V_{EB}=4V, I_C=0$			0.1
DC current gain	$h_{FE1}$		$V_{CE}=2V, I_C=10mA$	200		
	$h_{FE2}$		$V_{CE}=2V, I_C=200mA$	300		
	$h_{FE3}$		$V_{CE}=2V, I_C=1A$	200		
	$h_{FE4}$		$V_{CE}=2V, I_C=2A$	100		



# FMMT619L

RoHS  
COMPLIANT

Collector-emitter saturation voltage	$V_{CE(sat)1}$	V	$I_C=100mA, I_B=10mA$			0.02
	$V_{CE(sat)2}$	V	$I_C=1A, I_B=10mA$			0.2
	$V_{CE(sat)3}$	V	$I_C=2A, I_B=100mA$			0.22
Base-emitter saturation voltage	$V_{BE(sat)*}$	V	$I_C=2A, I_B=50mA$			1
Base-emitter voltage	$V_{BE}$	V	$V_{CE}=2V, I_C=2A$			1
Transition frequency	$f_T$	MHz	$V_{CE}=5V, I_C=100mA, f=100MHz$	100		
Collector-base output capacitance	Cob	pF	$V_{CB}=10V, I_E=0, f=1MHz$			20

## ■ Thermal Characteristics

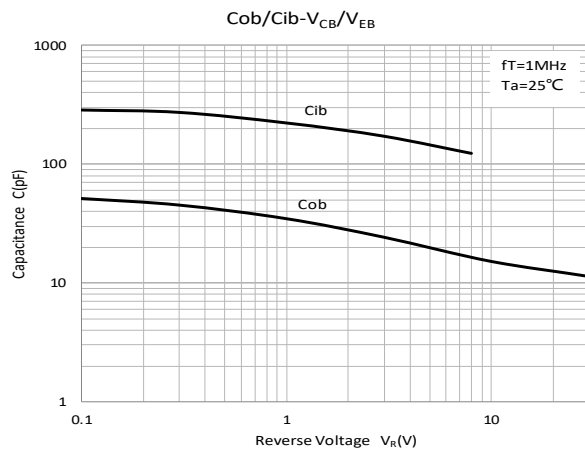
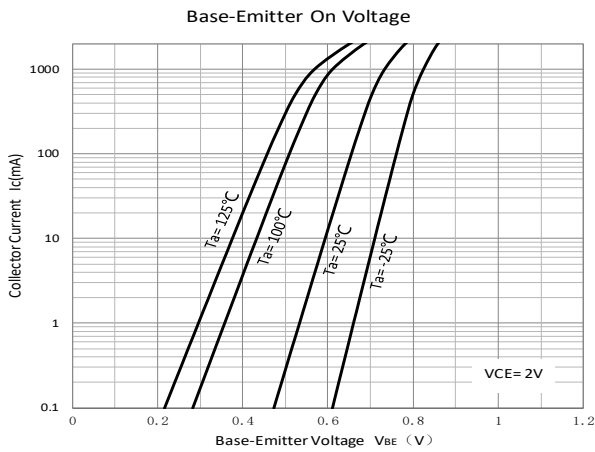
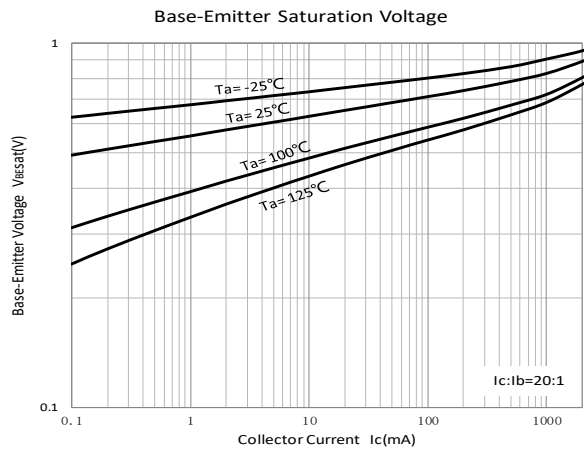
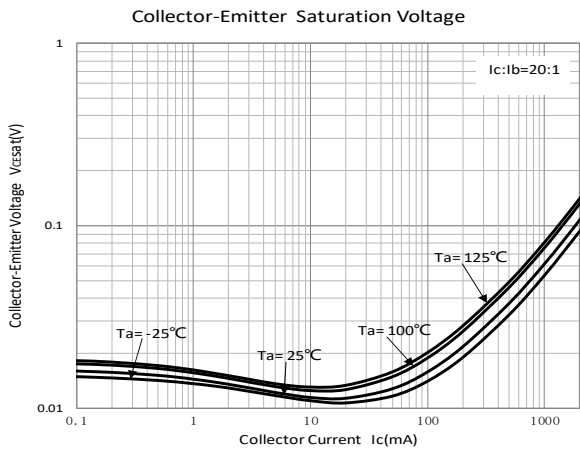
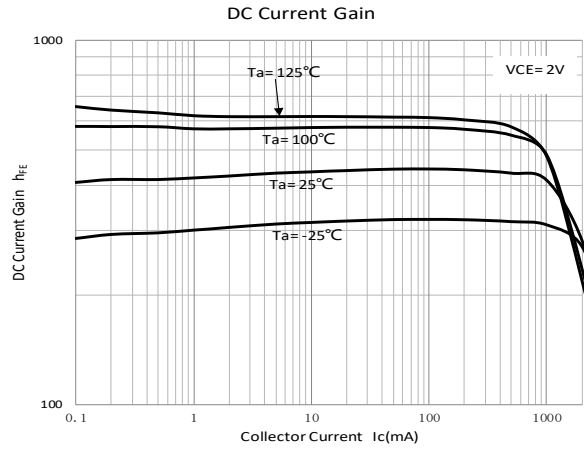
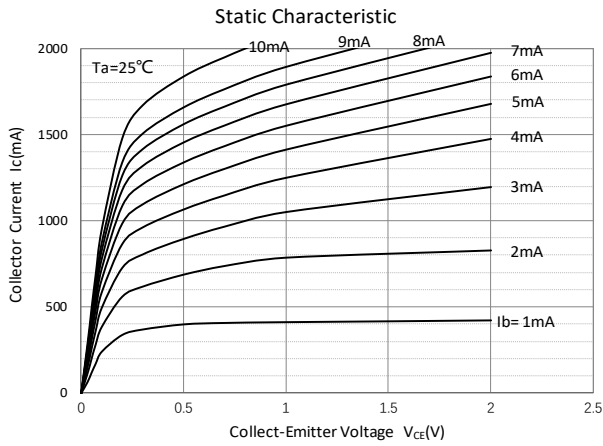
Parameter	Symbol	Unit	Value
Thermal resistance, junction-to-ambient	$R_{\theta J-A}^{(1)}$	°C/W	625
Thermal resistance, junction-to-case	$R_{\theta J-C}^{(1)}$	°C/W	500

## ■ Ordering Information (Example)

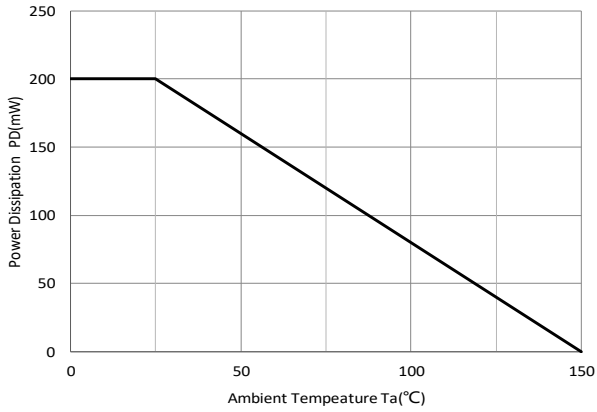
PREFERRED P/N	PACKING CODE	UNIT WEIGHT(g)	MINIMUM PACKAGE(pcs)	INNER BOX QUANTITY(pcs)	OUTER CARTON QUANTITY(pcs)	DELIVERY MODE
FMMT619L	F2	Approximate 0.014	3000	30000	120000	7" reel



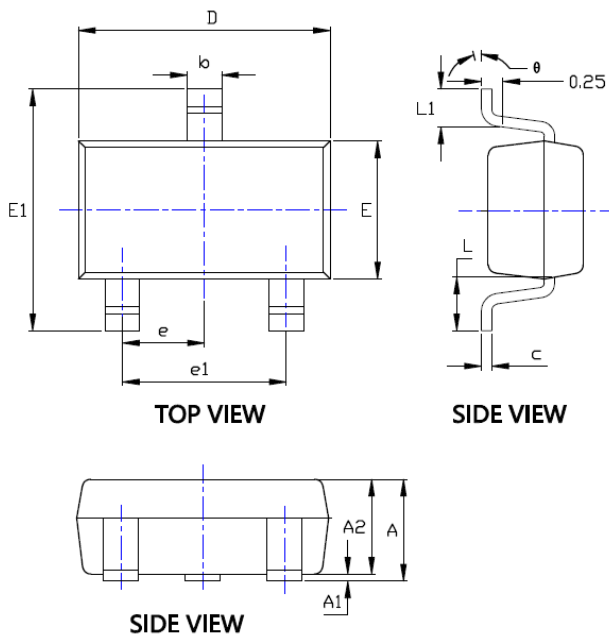
## ■ Characteristics(Typical)



Power Derating Curve

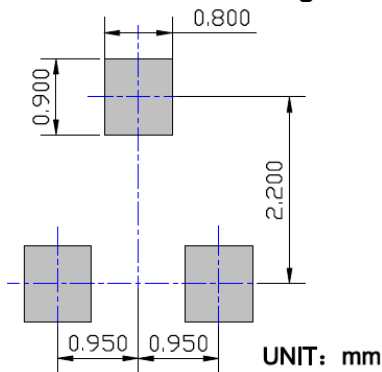


### ■SOT-23-3L Package Outline Dimensions



SYMBOL	DIMENSIONS			
	INCHES		Millimeter	
	MIN.	MAX.	MIN.	MAX.
A	0.041	0.049	1.050	1.250
A1	0.000	0.008	0.000	0.200
A2	0.041	0.045	1.050	1.150
b	0.012	0.020	0.300	0.500
c	0.004	0.008	0.100	0.200
D	0.111	0.119	2.820	3.020
E	0.059	0.067	1.500	1.700
E1	0.104	0.116	2.650	2.950
e	0.037 TYP		0.950 TYP	
e1	0.071	0.079	1.800	2.000
L	0.024 REF		0.600 REF	
L1	0.012	0.024	0.300	0.600
∅	0°	8°	0°	8°

### ■SOT-23-3L Soldering Footprint





## Disclaimer

The information presented in this document is for reference only. Yangzhou Yangjie Electronic Technology Co., Ltd. reserves the right to make changes without notice for the specification of the products displayed herein to improve reliability, function or design or otherwise.

The product listed herein is designed to be used with ordinary electronic equipment or devices, and not designed to be used with equipment or devices which require high level of reliability and the malfunction of which would directly endanger human life (such as medical instruments, transportation equipment, aerospace machinery, nuclear-reactor controllers, fuel controllers and other safety devices), Yangjie or anyone on its behalf, assumes no responsibility or liability for any damages resulting from such improper use of sale.

This publication supersedes & replaces all information previously supplied. For additional information, please visit our website [http:// www.21yangjie.com](http://www.21yangjie.com) , or consult your nearest Yangjie's sales office for further assistance.